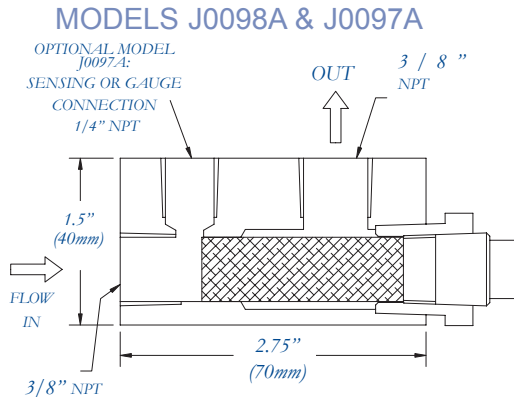


Strainers - Models J0098A & J0097A



There are two versions of the standard ASTM B16 brass strainer with 40 mesh stainless steel screens. The standard model J0098A has a 3/8" (9.5mm) blowdown/maintenance port for access to the screen and the 3/8" (9.5mm) NPT inlet and outlet connections. The model J0097A provides an optional 1/4" (7.5mm) sensing/gauge connection. All stainless steel construction is available as an option.

Standard Materials:

Body: ASTM B-16 brass
 Screen Retainer: ASTM B-16 brass
 Blowdown Plug: ASTM B-16 brass
 Screen: AISI 304 SST
 Standard - 40 mesh
 Optional - 60, 80 mesh
 Optional - All SST Construction

When Ordering Please Specify:

1. Catalog Model #.
 May be included as standard with some products.

Specifications:

The strainer shall be a Singer Model J0098A or J0097A (additional 1/4" (6.35mm) connection).

- The strainer body shall be of brass construction.
- The strainer shall be mounted externally on the main valve for easy access and internal screen shall be easily removed and cleaned.
- The strainer shall have the outlet located ninety degrees to the inlet.
- The body shall have a 3/8" (9.5mm) NPT plug for easy access and/or installation of an optional ball valve for easy screen flushing.
- The Model J0097A shall be complete with an additional unfiltered 1/4" (6.35mm) NPT sensing or gauge connection.
- Maximum Working Temperature: 180 degree F (82 degree C)
- Maximum Working Pressure: 400 psi (27.6 bar)
- Connections: 3/8" (9.5mm) NPT

Strainers—Arion Models J1521G/J1521M

The ARION series strainers are an option for dirty water applications. The dirt is trapped on the inside of the double mesh screens and collects in the bowl. The double port construction of the housing prevents the particles from re-entering the flow stream. The collected dirt can be flushed directly out to drain by opening the blowdown.

The model J1521G has a glass collection bowl, the model J1521M has a metal bowl, standard pressure rating is 232 psi (16 bar).

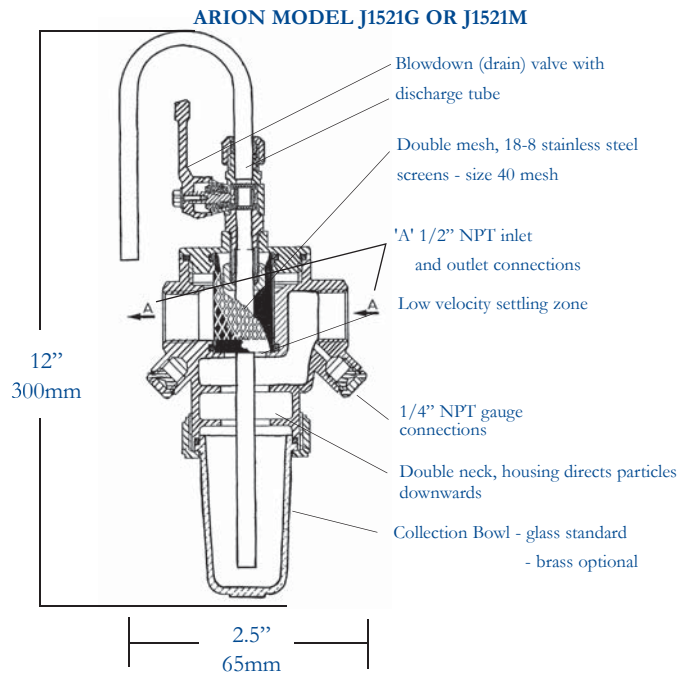
Body connections are 1/2" (15mm) NPT. The strainers come complete with a 3/8" (9.5mm) blowdown valve and a discharge tube.

Standard Materials:

Body: brass
 Cap: brass
 Screens: 18-8 SST
 (40 mesh standard;
 80 mesh optional)
 Seals: Buna-N
 Packing: P.T.F.E.
 Bowls: standard - Trogamid T ("glass")
 optional - brass
 Nuts: brass
 Drain Valve: brass

Specifications:

- Maximum Working Temperature: glass - 175° F (79°C)
 metal - 365°F (185°C)
- Maximum Working Pressure: 232 psi (16 bar)



When Ordering Please Specify:

1. Catalog Model #. 2. Metal or Glass Bowl
 May be included as standard with some products.



Singer Valve Inc. • 12850 - 87th Avenue • Surrey, British Columbia, Canada V3W 3H9
 Tel: 604 594 5404 • Fax: 604 594 8845 • Toll-Free Fax (US & Canada): 1 800 663 7266
 E-Mail: singer@singervalve.com • singervalve.com • An ISO 9001:2000 Registered Company