

SINGER[®]

a **MUELLER** brand

MODEL 106-GE / 206-GE

Grooved Ends

KEY FEATURES

- Convenient system and equipment access for ease of alignment and installation
- Improved flexibility with expansion, contraction and deflection
- Seismic stress absorption
- Eliminates unions

PRODUCT OVERVIEW

For use with grooved Iron Pipe Size (IPS) Pipe Coupling Products, grooved ends allows you to benefit from the simplicity and convenience of grooved end piping and fittings in an automatic control valve. There are a wide range of applications where grooved ends are relevant, but typical applications include municipal water, waste water, fire protection and plumbing.

Grooved ends come in the following size ranges:

- 2" / 50 mm – 8" / 200 mm
- Angle ranges from 2" / 50 mm – 3" / 80 mm

Standard cut groove specifications for steel and other IPS pipe will apply, unless otherwise specified



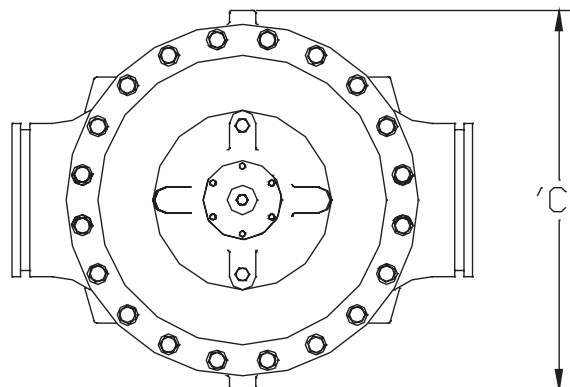
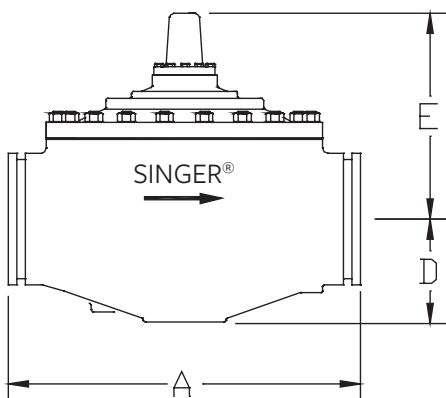
MODEL 106-GE / 206-GE

Grooved Ends

VALVE DATA (US UNITS)

INCHES	DWG	STANDARD	FLAT DIAPHRAGM SYSTEM						
	REF	GROOVED ENDS	2"	2 1/2"	3"	4"	6"	8"	8" (206)
GLOBE DIMENSIONS			ALL FIGURES SHOWN IN INCHES UNLESS OTHERWISE STATED						
Lay Length	A		9.38	11.63	13.25	15.00	20.00	25.38	26.00
Centerline to Bottom	D		2.75	3.25	3.68	4.00	5.60	7.50	4.63
COMMON DIMENSIONS (GLOBE)									
Width	C		6.00	8.19	9.25	10.88	16.75	21.63	16.00
Height (To Stem Cap) Globe	E		4.75	7.50	8.00	9.15	11.75	14.91	14.13
Body Port Tapping		FNPT	3/8	3/8	3/8	3/8	3/8	1/2	3/8
Stem Cap Plug		MNPT	3/8	3/8	3/8	3/8	3/8	3/8	3/8
Cover Port Tapping		FNPT	3/8	3/8	3/8	3/8	3/8	1/2	1/2
Valve Stroke			9/16	15/16	1 1/8	1 7/16	1 11/16	2 7/8	1 11/16
Displaced Bonnet Volume (Gallons)			0.02	0.07	0.1	0.2	0.6	1.7	0.6
Approximate Shipping Weight (Lbs)			40	65	100	175	400	650	500
FLOW CAPACITIES (USGPM) GLOBE									
C _v			55	80	110	200	460	800	505
Continuous (Globe)			210	300	460	800	1800	3100	2300
Intermittent (Globe)			260	375	575	1000	2250	3875	2700
Momentary (Globe)			470	670	1030	1800	4000	7000	4800
MAXIMUM PRESSURE RATINGS (DUCTILE ONLY)									
psi ¹		Grooved Ends	400	400	400	400	400	400	400
MAXIMUM TEMPERATURE									
Fahrenheit			180°	180°	180°	180°	180°	180°	180°

¹Valves rated and stamped 400 psi as standard. Valves rated and stamped 600 psi on request.



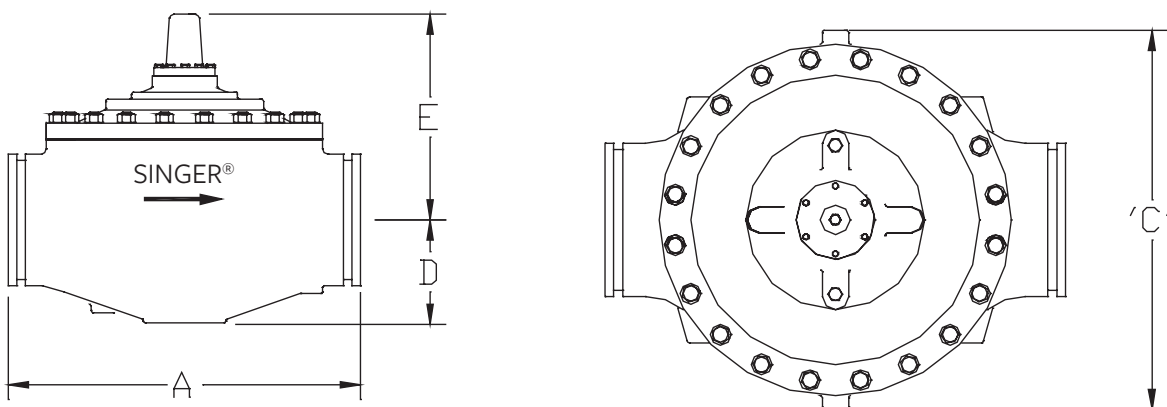
MODEL 106-GE / 206-GE

Grooved Ends

VALVE DATA (METRIC UNITS)

MM	DWG	STANDARD	FLAT DIAPHRAGM SYSTEM						
	REF	GROOVED ENDS	50 MM	65 MM	80 MM	100 MM	150 MM	200 MM	200 MM (206)
GLOBE DIMENSIONS			ALL FIGURES SHOWN IN MILLIMETERS UNLESS OTHERWISE STATED						
Lay Length	A		238	295	337	381	508	645	660
Centerline to Bottom	D		70	83	93	102	142	191	118
COMMON DIMENSIONS (GLOBE)									
Width	C		152	208	235	276	425	549	406
Height (To Stem Cap) Globe	E		121	191	203	232	298	379	359
Body Port Tapping	FNPT	Inches	$\frac{3}{8}$	$\frac{3}{8}$	$\frac{3}{8}$	$\frac{3}{8}$	$\frac{3}{8}$	$\frac{1}{2}$	$\frac{3}{8}$
Stem Cap Plug	MNPT	Inches	$\frac{3}{8}$	$\frac{3}{8}$	$\frac{3}{8}$	$\frac{3}{8}$	$\frac{3}{8}$	$\frac{3}{8}$	$\frac{3}{8}$
Cover Port Tapping	FNPT	Inches	$\frac{3}{8}$	$\frac{3}{8}$	$\frac{3}{8}$	$\frac{3}{8}$	$\frac{3}{8}$	$\frac{1}{2}$	$\frac{1}{2}$
Valve Stroke		mm	14	25	29	37	43	73	43
Displaced Bonnet Volume (Liters)			0.1	0.3	0.3	0.8	2.1	6.3	2.1
Approximate Shipping Weight (Kilograms)			18	29	45	79	181	295	227
FLOW CAPACITIES (L/S) GLOBE									
K_v (Globe)			13	19	26	47	110	190	120
Continuous (Globe)			13	19	29	50	114	196	145
Intermittent (Globe)			16	24	36	63	142	244	170
Momentary (Globe)			30	42	65	114	252	442	300
MAXIMUM PRESSURE RATINGS (DUCTILE ONLY)									
Bar ¹		Grooved Ends	27.6	27.6	27.6	27.6	27.6	27.6	27.6
MAXIMUM TEMPERATURE									
Celcius			82°	82°	82°	82°	82°	82°	82°

¹Valves rated and stamped 27.6 Bar as standard. Valves rated and stamped 41 Bar on request.



ORDERING INSTRUCTIONS

Refer to the Singer Full Product Catalogue for the order form and ordering instructions.

For more information about us or to view our full line of water products, please visit www.singervalue.com or call Singer® customer service at 833.367.6835.

Mueller refers to one or more of Mueller Water Products, Inc. a Delaware corporation ("MWP"), and its subsidiaries. MWP and each of its subsidiaries are legally separate and independent entities when providing products and services. MWP does not provide products or services to third parties. MWP and each of its subsidiaries are liable only for their own acts and omissions and not those of each other. MWP brands include Mueller®, Echologics®, Hydro Gate®, Hydro-Guard®, HYMAX®, Jones®, Krausz®, Mi.Net®, Milliken®, Pratt®, Pratt Industrial®, Singer®, and U.S. Pipe Valve & Hydrant. Please see muellervp.com/brands and krauszusa.com to learn more.

© 2021 Mueller SV, Ltd. All Rights Reserved. The trademarks, logos and service marks displayed in this document are the property of Mueller SV, Ltd., its affiliates or other third parties. Products above marked with a section symbol (§) are subject to patents or patent applications. For details, visit www.mwppat.com. These products are intended for use in potable water applications. Please contact your Mueller Sales or Customer Service Representative concerning any other application(s).

F14491 1/21

